

1 THESSALONIANS: WHAT THE GOSPEL DOES

DYNAMO

T. A. EDISON

Patented Aug. 22, 1882.

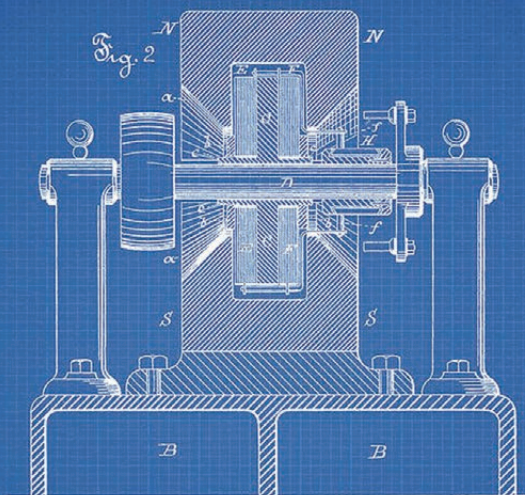
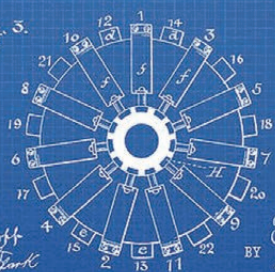


Fig. 3.



WITNESSES:

D. D. Moff
J. E. Clark

INVENTOR:

T. A. Edison
BY *Ray & Miller*
ATTORNEYS.

The Gospel of Holiness

May 1, 5pm
May 2, 9am

Holy Communion

Congregational responses are indicated in **bold**.

The Acclamation for Eastertide

Alleluia! Christ is risen!

The Lord is risen indeed! Alleluia!

The Collect for Purity

Almighty God, to you all hearts are open, all desires known, and from you no secrets are hid: Cleanse the thoughts of our hearts by the inspiration of your Holy Spirit, that we may perfectly love you, and worthily magnify your holy Name; through Christ our Lord.

Amen.

The Collect for the Day

The Lord be with you.

And also with you.

Let us pray.

O God, you have prepared for those who love you such good things as surpass our understanding: Pour into our hearts such love towards you, that we, loving you in all things and above all things, may obtain your promises, which exceed all that we can desire; through Jesus Christ our Lord, who lives and reigns with you and the Holy Spirit, one God, for ever and ever.

Amen.

The Lesson..... 1 Thessalonians 3: 6-13

This is the Word of the Lord.

Thanks be to God.

The Psalm..... 30: 5-8, 11-13 (BCP 2019)

⁵ For his wrath endures but the twinkling of an eye, his pleasure for a lifetime; *
heaviness may endure for a night, but joy comes in the morning.

⁶ In my prosperity I said, "I shall never be moved; *
you, Lord, of your goodness, have made my hill so strong."

⁷ You turned your face from me, *
and I was distressed.

- 8 Then I cried unto you, O Lord, *
and came to my Lord most humbly.
- 11 Hear, O Lord, and have mercy upon me. *
O Lord, be my helper.
- 12 You have turned my lamentation into dancing; *
you have put off my sackcloth and girded me with gladness.
- 13 Therefore shall my heart sing of your praise without ceasing. *
O Lord my God, I will give thanks unto you for ever.

**Glory be to the Father, and to the Son, and to the Holy Spirit:
as it was in the beginning, is now, and ever shall be, world
without end. Amen.**

[Please stand.]

The Holy Gospel of our Lord Jesus Christ according to John.
Glory to you, Lord Christ.

The Gospel ReadingJohn 15: 9-12
This is the Gospel of the Lord.
Praise to you, Lord Christ.

[Please be seated.]

The SermonThe Rev. Alex Shuttleworth

[Please stand.]

The Nicene Creed

Let us confess our faith in the words of the Nicene Creed.

**We believe in one God,
the Father, the Almighty,
maker of heaven and earth,
of all that is, visible and invisible.**
**We believe in one Lord, Jesus Christ,
the only-begotten Son of God,
eternally begotten of the Father,
God from God, Light from Light,
true God from true God,
begotten, not made,
of one Being with the Father;
through him all things were made.**
For us and for our salvation he came down from heaven,

**was incarnate from the Holy Spirit and the Virgin Mary,
and was made man.**

**For our sake he was crucified under Pontius Pilate;
he suffered death and was buried.**

**On the third day he rose again
in accordance with the Scriptures;
he ascended into heaven**

and is seated at the right hand of the Father.

**He will come again in glory to judge the living and the dead,
and his kingdom will have no end.**

**We believe in the Holy Spirit, the Lord, the giver of life,
who proceeds from the Father and the Son,
who with the Father and the Son is worshiped and glorified.
who has spoken through the prophets.**

We believe in one holy catholic and apostolic Church.

We acknowledge one baptism for the forgiveness of sins.

**We look for the resurrection of the dead,
and the life of the world to come. *Amen.***

[Please sit or kneel.]

The Prayers of the People

*If you would like us to name someone aloud in prayer in the service
next week, please notify the office during the week.*

The Confession and Absolution of Sin

Let us humbly confess our sins to Almighty God.

**Most merciful God,
we confess that we have sinned against you
in thought, word and deed,
by what we have done, and by what we have left undone.**

**We have not loved you with our whole heart;
we have not loved our neighbors as ourselves.**

We are truly sorry and we humbly repent.

**For the sake of your Son Jesus Christ,
have mercy on us and forgive us;
that we may delight in your will, and walk in your ways,
to the glory of your Name. *Amen.***

Almighty God, our heavenly Father, who in his great mercy has
promised forgiveness of sins to all those who sincerely repent and
with true faith turn to him, have mercy upon you, pardon and deliver

you from all your sins, confirm and strengthen you in all goodness,
and bring you to everlasting life; through Jesus Christ our Lord.

Amen.

[Please stand.]

The Peace

The peace of the Lord be always with you.

And also with you.

Instructions for Receiving

Doxology

Praise God, from whom all blessings flow;

Praise him, all creatures here below;

Praise him above ye heavenly host;

Praise Father, Son, and Holy Ghost.

Amen.

The Sursum Corda

The Lord be with you

and also with you.

Lift up your hearts.

We lift them to the Lord.

Let us give thanks to the Lord our God.

It is right to give him thanks and praise.

It is right, our duty and our joy, always and everywhere to give
thanks to you, Father Almighty, Creator of heaven and earth.

[On occasion the minister may add a proper preface.]

Therefore we praise you, joining our voices with Angels and
Archangels and with all the company of heaven, who for ever sing
this hymn to proclaim the glory of your Name:

The Sanctus

Holy, holy, holy is the Lord, God Almighty

Who was and is, and is to come,

Lift up His name with the sound of singing,

Lift up His name in all the earth.

Lift up your voice and give Him glory,

For He is worthy to be praised.

Holy. Holy.

[Please be seated.]

The Prayer of Consecration

All praise and glory is yours, O God our heavenly Father, for in your tender mercy, you gave your only Son Jesus Christ to suffer death upon the cross for our redemption. He made there, by his one oblation of himself once offered, a full, perfect, and sufficient sacrifice, oblation, and satisfaction, for the sins of the whole world; and he instituted, and in his Holy Gospel commanded us to continue, a perpetual memory of his precious death and sacrifice, until his coming again.

So now, O merciful Father, in your great goodness, we ask that we, receiving these, your gifts of bread and wine, according to your Son our Savior Jesus Christ's holy institution, in remembrance of his death and passion, may be partakers of his most blessed Body and Blood.

For on the night that he was betrayed, our Lord Jesus Christ took bread; and when he had given thanks, he broke it, and gave it to his disciples, saying, "Take, eat; this is my Body which is given for you: Do this in remembrance of me."

Likewise, after supper, Jesus took the cup, and when he had given thanks, he gave it to them, saying, "Drink this, all of you; for this is my Blood of the New Covenant, which is shed for you, and for many, for the forgiveness of sins: Whenever you drink it, do this in remembrance of me."

Therefore we proclaim the mystery of faith:

Christ has died.

Christ is risen.

Christ will come again.

And here we offer and present to you, O Lord, ourselves, our souls and bodies, to be a reasonable, holy, and living sacrifice. We humbly pray that all who partake of this Holy Communion may worthily receive the most precious Body and Blood of your Son Jesus Christ, be filled with your grace and heavenly benediction, and be made one body with him, that he may dwell in us, and we in him.

By him, and with him, and in him, in the unity of the Holy Spirit, all honor and glory is yours, Almighty Father, now and for ever.

Amen.

The Lord's Prayer

And now as our Savior Christ has taught us, we are bold to pray:

**Our Father, who art in heaven,
hallowed be thy name,
thy kingdom come,
thy will be done,
on earth as it is in heaven.**

Give us this day our daily bread.

**And forgive us our trespasses,
as we forgive those who trespass against us.**

**And lead us not into temptation,
but deliver us from evil.**

**For thine is the kingdom,
and the power and the glory,
for ever and ever.**

Amen.

The Fraction

Christ our Passover has been sacrificed for us.

Therefore let us keep the feast.

The Ministration of Communion

The gifts of God for the people of God. Take them in remembrance that Christ died for you and feed on him in your hearts by faith, with thanksgiving.

The online service concludes here.

All baptized believers are welcome to receive Holy Communion.

Parents of baptized children are welcome to decide whether you would like your children to receive Holy Communion or a blessing.

If worshipping online, please come to the church to receive Communion as soon as you can. It will be distributed under the blue tent.

If receiving drive-thru communion, please consume the elements in your car or if that is not possible, as soon as you get home.

Communion Song—Please join in!

(Sunday, 9am service)

Speak O Lord

Getty / Townend

Speak O Lord as we come to You
To receive the food of Your holy word
Take Your truth plant it deep in us
Shape and fashion us in Your likeness
That the light of Christ might be seen today
In our acts of love and our deeds of faith
Speak O Lord and fulfill in us
All Your purposes for Your glory

Teach us Lord full obedience
Holy reverence true humility
Test our thoughts and our attitudes
In the radiance of Your purity
Cause our faith to rise
Cause our eyes to see
Your majestic love and authority
Words of power that can never fail
Let their truth prevail over unbelief

Speak O Lord and renew our minds
Help us grasp the heights of Your plans for us
Truths unchanged from the dawn of time
That will echo down through eternity
And by grace we'll stand on Your promises
And by faith we'll walk as You walk with us
Speak O Lord till Your church is built
And the earth is filled with Your glory

Blessing

The peace of God which passes all understanding keep your hearts and minds in the knowledge and love of God, and of his Son Jesus Christ our Lord; and the blessing of God Almighty, the Father, the Son and the Holy Spirit, be among you and remain with you always.

Amen.

The Dismissal

Let us bless the Lord. Alleluia, alleluia.

Thanks be to God. Alleluia, alleluia.



Under Jesus Christ, Our Savior and Lord:
The Rt. Rev. Martyn Minns, Interim Bishop of Pittsburgh

Staff

The Rev. Alex Shuttleworth, *Rector*
Robert Fire, *Music Minister*
Tami Fire & Josh Gerdes, *Children's Ministers*
The Rev. Ben Hughes, *Youth Minister*
Jenna Hughes, *Asst. Youth Minister*
The Rev. Elizabeth H. Rodewald, *Deacon*
The Rev. Ben Wulpi, *Curate*
Niki De Luca, *Finance Manager*
Bridget Michael, *Operations Manager*
Brian Zimmerman, *Buildings & Grounds Manager*



Christ Church Fox Chapel
630 Squaw Run Road E | Pittsburgh, Pennsylvania 15238 | 412.963.8938
www.christchurchfoxchapel.org

All music reproduced in this bulletin used with permission CCLI #866834.